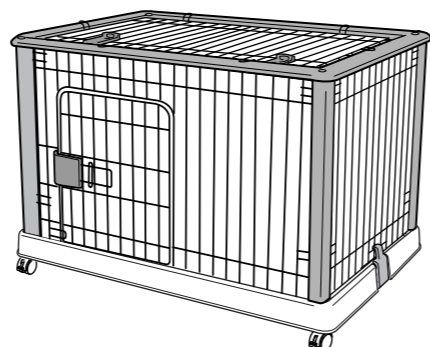


Instruction Manual

Thank you for choosing Richell's Mobile Pen. Please read this instruction manual carefully before assembling or using this product, and keep for future reference.

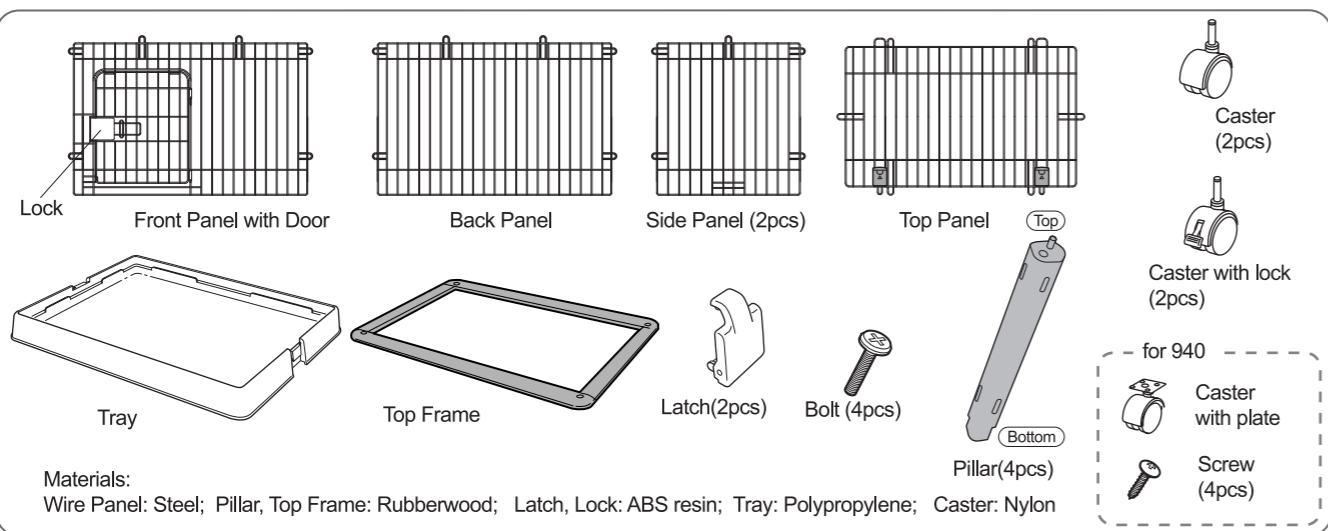
Features

- Model 640 is designed for 8-18lbs dogs
- Model 940 is designed for 8-44lbs dogs
- Beautiful wood finish for an elegant look
- Wood and metal frame construction provides reinforced support
- Wire door with slide lock provides extra security
- Washable plastic tray protects floor from soiling or scratches
- Casters with locks for ease of movement and safety
- Removable wire top



Dimensions:
 640: 25.2"W x 18.1D x 22.4H* (64cmW x 46D x 57H)
 940: 36.8"W x 24.2D x 26H* (93.5cmW x 61.5D x 66H)
 *Shorter by 2" without casters

Parts / Specifications



Cautions!

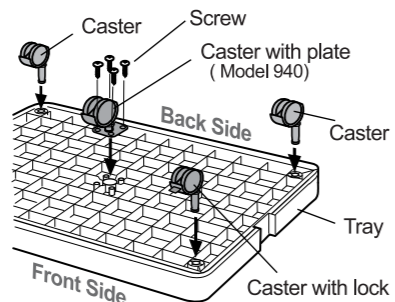
- This product is designed for use with pets only.
- Do not use this product for anything other than its intended purpose.
- Keep the product away from fire or extremely high temperatures.
- The product is designed for indoor use only. Do not use it outside.
- Do not stand or sit on the product, as it may cause injury/damage to person or product.
- Take care not to pinch your hands or fingers when opening/closing the door.
- Place the product on a flat, solid surface.
- Do not move the product with pets inside.
- Make sure that Side Panels are latched securely and grasp both Side Panels or Tray when moving the product.
- Do not place anything on Top Panel.
- Use mild detergent to clean. Do not use harsh chemicals such as benzine or thinner.

How to assemble

1. Casters

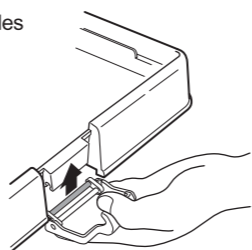
Insert Casters into corner holes on bottom of Tray as shown.

Note:
 Attach Casters with locks in the front of unit.
 Fasten the Caster with plate in the center of unit with screws using Phillips screwdriver.



2. Latches

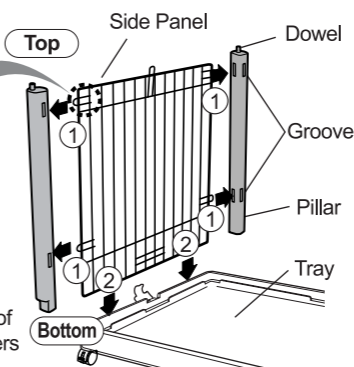
Attach Latches to both sides of Tray, inserting from the bottom as shown.



3. Side Panels and Pillar(1)

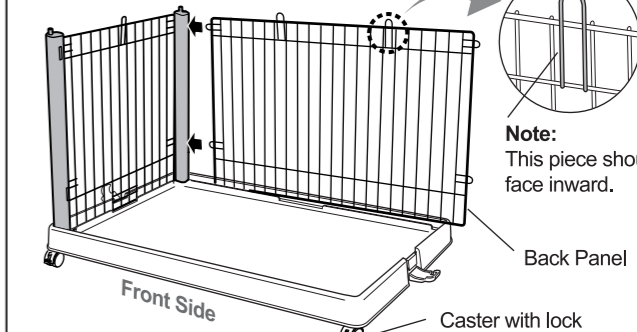
Note:
 This piece should face inward.

- 1 Insert Side Panel into the grooves of Pillars as shown.
- 2 Insert Side Panel into the groove of Tray aligning Pillars with the corners of Tray as shown.



4. Back Panel

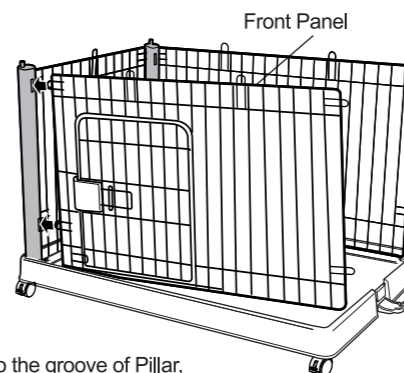
Note:
 This piece should face inward.



Insert Back Panel into the groove of Pillar, along with the groove of Tray as shown.

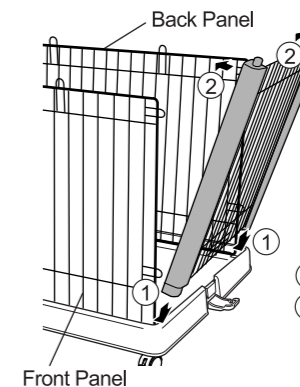
5. Front Panel

Insert Front Panel into the groove of Pillar, along with the groove of Tray as shown.



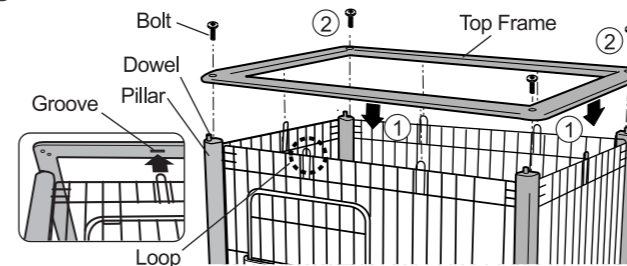
6. Side Panels and Pillar(2)

- 1 Repeat Step 3.
- 2 Insert Side Front/Back Panels into the grooves of Pillars as shown.



7. Top Frame

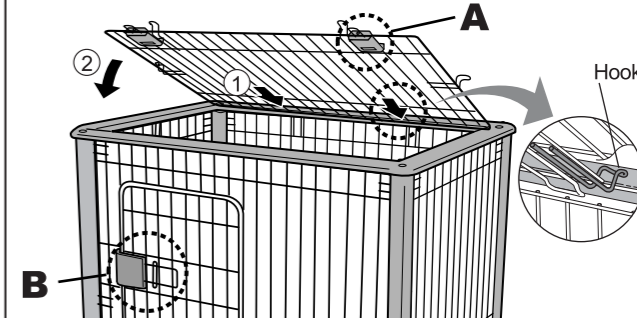
- 1 Align dowels of Pillars with the bottom corner holes of Top Panel as shown.
- 2 Fasten Top Panel with four bolts using Phillips screwdriver.



Note: Insert the upper loops of wire panels into the grooves of Top Panel.

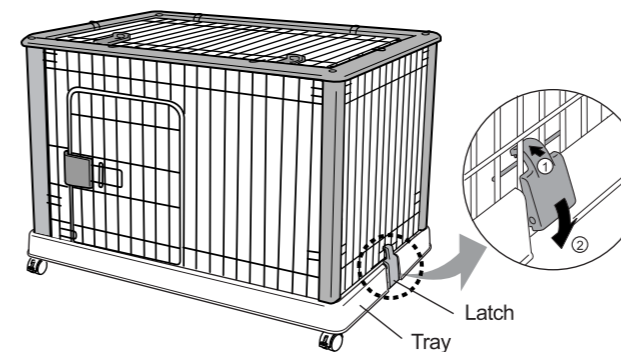
8. Top Panel

- 1 Place the rear hooks of Top Panel on Top Frame as shown.
- 2 Lower the front of Top Panel to Top Frame and lock as shown.



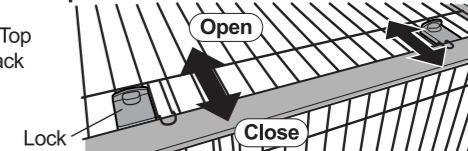
9. Lock

Lock Side Panels with latches on both sides as shown.



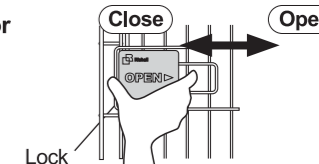
A. How to open Top Panel

Slide Locks of Top Panel to the back as shown.



B. How to open Front Door

Slide Lock of Front Door to the right as shown.



If you find something wrong with this product, please let us know, thank you!

Designed by:
 Richell Corporation, Japan

Distributed by:
Richell USA Inc.
 2100 N. Hwy. 360, Suite 1700, Grand Prairie, TX 75050
 Phone (972) 641-9795 Fax (972) 641-8495
 Visit us at www.richellusa.com
 Made in China