

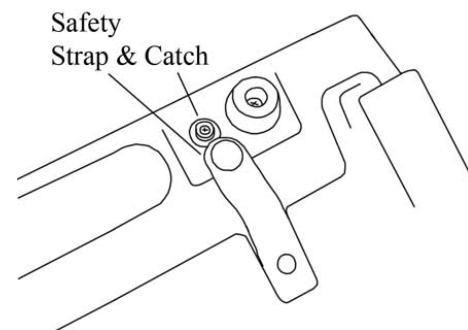


Deluxe XL Telescoping Pet Ramp Care & Use Guide

Thank you for purchasing the durable, easy-to-use Deluxe XL Telescoping Pet Ramp from SOLVIT Products. With proper care, your Pet Ramp should provide years of trouble-free service. Please read this guide completely before using the ramp.

Proper pet training is essential for success. Allow your pet to become familiar with the ramp prior to first use. Lay the ramp flat on the ground and place treats or other items familiar to the pet on the ramp. Offering reassurance and praise, train your pet to walk on it in this position before using in an inclined position. Incline the ramp in small amounts and continue training before using with a vehicle or other higher surface.

CAUTION: If the safety release strap (on underside of ramp, see image) is not engaged, it is possible for the ramp to extend automatically if held in a vertical position. Please use care when holding the ramp this way.



To use the Pet Ramp, simply set the angled, upper end on the surface to which the pet is trying to climb (car, couch, etc.), un-snap the safety release strap (if engaged), then pull out the inner slide to the required length and set it on the ground. Some users prefer to extend the ramp first and then place on the upper and lower surfaces. The advanced design of the ramp holds itself in place when weight is applied, so there is no need for extra devices to lock the ramp in position. When finished, simply push the inner slide back into the closed position, re-snap the safety release tab, if desired, and stow in a convenient place. The t-e-l-e-s-c-o-p-i-n-g design is the secret to making the SOLVIT Ramp so easy to use. It is important to make sure the rubber feet on the upper and lower ends of the ramp are resting firmly on a stable surface (car bumper, sidewalk, etc.,) before using. If the rubber feet are not firmly in contact with a stable upper and lower surface, the ramp could shift when used.

We recommend holding your pet's collar or guiding them with a leash as they go up and down the ramp, to prevent accidents. Make sure pets walk only on the high-traction surface and stay away from the edges of the ramp. When using with vehicles, command your pet to stay inside the vehicle until the Ramp is deployed, then walk your pet down safely.

Cleaning & Maintenance: The aluminum rails on the ramp are pre-lubricated with household paraffin wax. Some of this wax may flake off after repeated use of the ramp. Re-application of this wax should not be necessary under normal use. If the plastic or aluminum parts of the Pet Ramp become dirty, simply clean with any standard household cleaner. The tread material can be cleaned with mild detergent and a stiff brush, or a strong jet of water. The Ramp should be maintenance-free. If a problem occurs, or a replacement part is needed, please contact Customer Service below.

Warranty: The Pet Ramp is warranted to be free from defects in materials or workmanship for a period of one (1) year from date of purchase. Check ramp thoroughly before first use and do not use if any defects are discovered. Solvit is not responsible for pet injuries incurred on a non-defective ramp.

CAUTION: The SOLVIT Pet Ramp is designed for use only by pets such as dogs, cats, and small animals. It is not intended to carry humans or heavy loads. Using the Ramp in this way voids the warranty and creates an unsafe situation! Please follow this guideline strictly.

(protected by US Patent #7,827,641)

SOLVIT Products LP ♦ 1114 W Harris Rd, Suite 101 ♦ Arlington, TX 76001
Tel: 866-6-SOLVIT (866-676-5848) ♦ Fax: (817) 466-2291
Email: customerservice@solvitproducts.com ♦ www.solvitproducts.com