

BEGINNING

Instructions (See Figures Below)

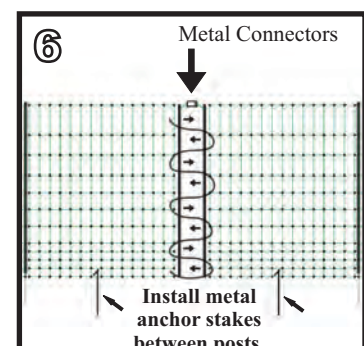
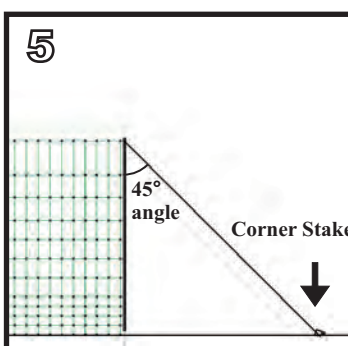
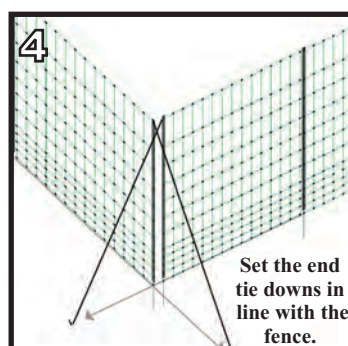
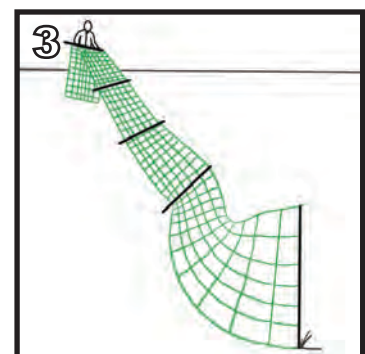
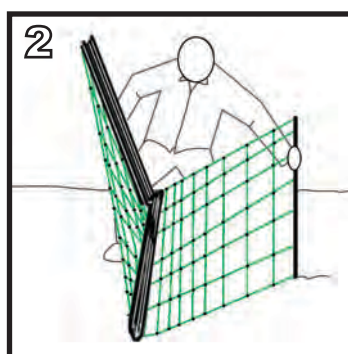
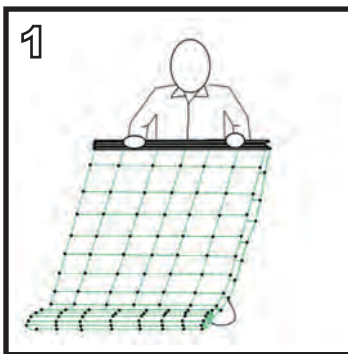
1. Undo the 3 tie cords wrapped around the netting. These cords will be used as corner ties (Step 5).
Holding all of the posts together in your hands let the net drop to the ground.
The long cord in the bag is used to tie back the end post (Step 4) if the net is setup in a square or rectangular shape.
2. Stick the end post into the ground with one hand while holding the bundle of posts with the other.
3. Walk along the proposed fence line, laying line posts on the ground. Stop where you want to make a corner.
Go back to the first post and set up posts to the corner. Proceed to the next corner and repeat the set up.
4. When all the line posts are in line, insert the last post in the ground and secure it with the white cord and yellow corner stake.
The white tie cord is 10 feet long. Tie a loop in the middle of the cord to go over the top of one end post.
Stake the two cord ends to the ground, parallel to the direction of the fence lines.
5. The corners are supported by tying down the corner posts at a 45 degree angle with a black cord and yellow stake.
6. Anchor the bottom strand of the net to the ground between posts with the metal anchor stakes.
Connect the fence charger to the metal clip at the end of the net. An alligator clip works well for this connection.
Use the metal clips to connect multiple nets together. Tie the tops of the two end post together with one of the clip cords.
7. To dismantle netting, pull out all the posts and lay them on the ground. Walk along and collect the posts.
8. Roll netting toward posts and secure with ties.

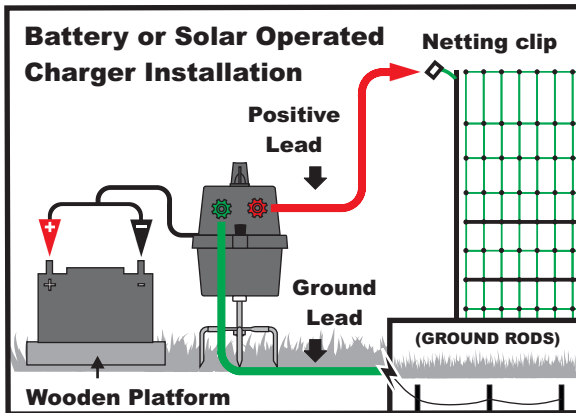
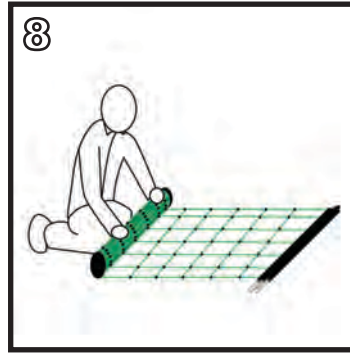
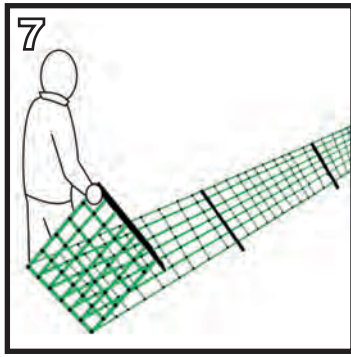
Terminating your fence run when you have extra netting

1. Insert a post at the end of your fence run
2. Secure your last post with stakes and tie down cord
3. Bring excess netting back so that it is running parallel to itself, this makes a double wall of netting, be careful not to let the two walls of netting touch as it may short out the netting.

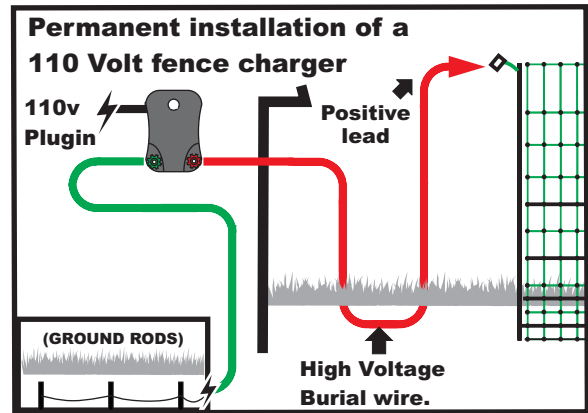
Precautions

Check regularly that the fence is properly electrified. Nets that are not electrified can be a danger to animals. **A low impedance fence charger must be used. THE FENCE CANNOT BE CONNECTED DIRECTLY TO AN ELECTRICITY SUPPLY.** Before doing any maintenance on or near the net, turn off the fence charger. If grass and weeds are tall enough to touch the lowest electric strand, the first strand above the black bottom strand, mow a strip of grass along the line of the fence before installation, or apply an approved herbicide. Do not spray the netting with herbicide. Keep the fence at least six inches away from non-insulated objects such as metal posts, water lines, or anything that can conduct electricity to the ground. Keep netting away from heat sources, when mowing around the netting do not allow the muffler of the mower to hit the netting. Ensure that the fence charger has a good ground connection. Store rolled up nets out of reach of pests,





Connect the positive lead of the fence charger to the metal connector that hangs down from the top of the end post. Install a 2 foot long ground rod into the earth and connect the black clip to it. Make sure both of those connections are secure and there is no foliage touching the net from the bottom and up. If you have a fence tester, test the fence at the furthest point from the charger to make sure you have adequate grounding in the fence. Additional ground rods may be needed in rocky sandy soils that do not hold moisture well. Grounding can be enhanced by staking a separate ground wire 6 inches from the net on either the inside or outside of the enclosure or both. **NOTE:** The Batteries for the Powerfields Solar Energizer and the Trail reside inside the energizers themselves.



After the netting has been setup, hang the fence charger under the eave of a building or somewhere where weather won't have any affect on the unit. Connect insulated high voltage wire to the metal connector that hangs down from the first line post and connect the other end to the red lead that's on the fence charger. If there is a lot of traffic in between these connections it is recommend that you bury the wire underground. Pound the ground rod into the ground near your charger. Connect the galvanized wire to the ground rod using the clamp and connect it to the black lead on the fence charger. Plug the unit in. If you have a fence tester, test the fence at the furthest point from the charger to make sure you have adequate grounding in the fence. Additional ground rods may be needed in rocky sandy soils that do not hold moisture well.

Go to powerfields.com for more grounding techniques.

POWERFIELDS ELECTRIC NETTING INSTALLATION GUIDE

For more information go to www.powerfields.com.