

100W LED Flood Light

IBA LED 100W LED Flood Light , 100 watt 12000 Lumen, ETL/cETL & DLC

www.ibaled.com

Specifications

Model#	R-00100-FL
Description	100W LED Flood Light
Power	100W
Voltage Input	100-277V ac,50 / 60HZ & 277-480V ac
Lumen output	12000lm
Color Temperature	5000K (Typical)
CRI	Ra>80
Power Factor	>0.95
Lens	Temper Glass
Operating Temp.	-25 °C ~ 55 °C
LED Chips	Philips
IP Rating	IP65
Certificates	ETL/cETL , DLC
warranty	5 years
L70 life span	>50000Hrs
Housing Material	Aluminum
Max.Input current	0.95Amp@100Vac
Dimmable	No

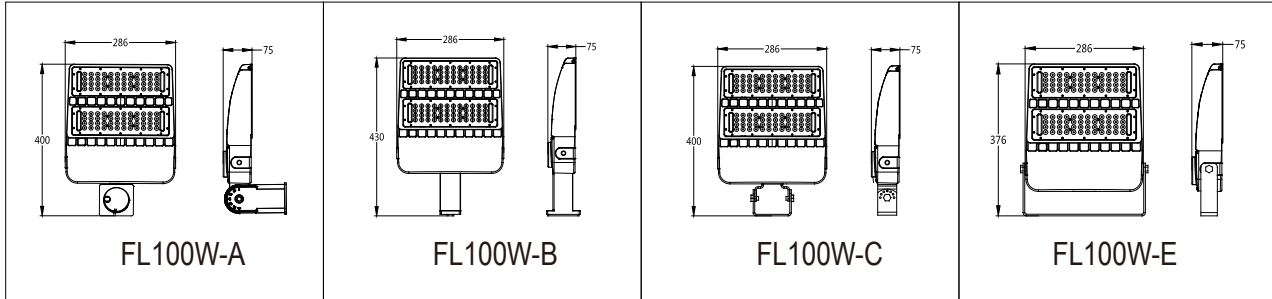


Various installation Types for option

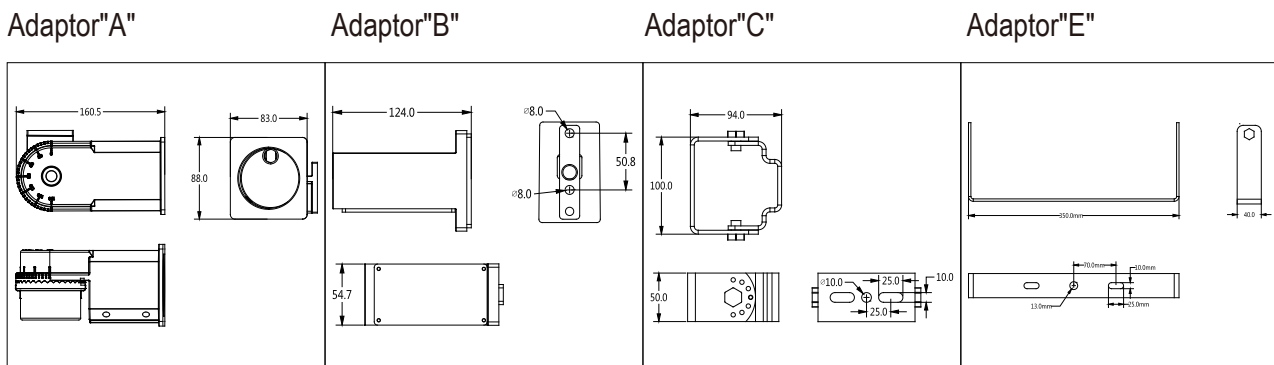
Order Information

Item Number	Description	Power	Voltage Input	Dimmable	CCT	Lumen Output	Certificates
R-00100-FL	100W LED Flood Light	100W	100-277Vac	No	5000k	12000lm	ETL/cETL,DLC

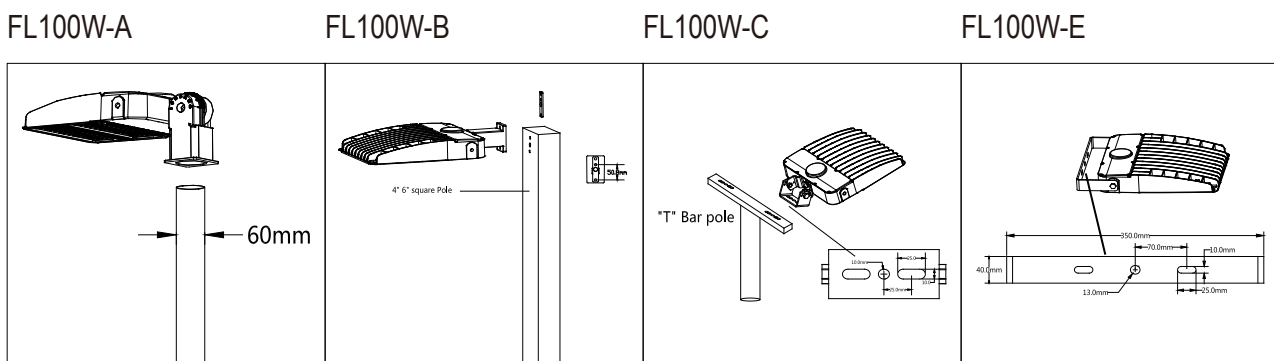
Product Size (Unit:mm)



Adaptor Types (Unit:mm)



Installation Instructions (Unit:mm)



1. Thread the floodlight mounting arm into the 1/2" opening of the cover and secure it with 1/2" locknut (for Adaptor D only).
2.
 - > Connect supply ground to luminaire ground (green).
 - > Connect supply common to luminaire neutral (white).
 - > Connect supply black to luminaire line(black).
 - > Pull connectors into Junction box
3. Loosen the side bolt connected to the arm knuckle to aim the fixture up or down. Re-tighten bolt to secure the fixture in the desired position.